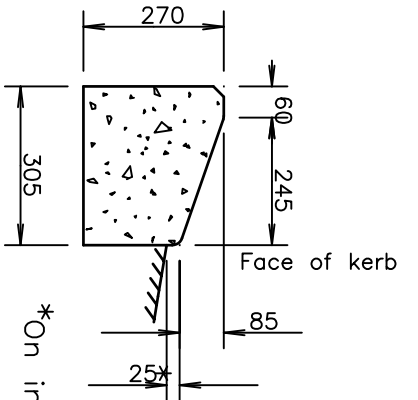
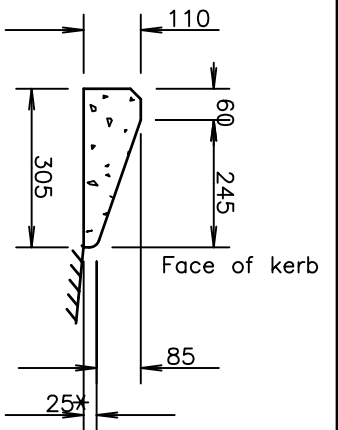


M1

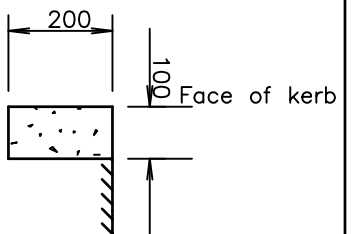


M2

\*On inside of roundabout 25mm reduced to < 5mm.



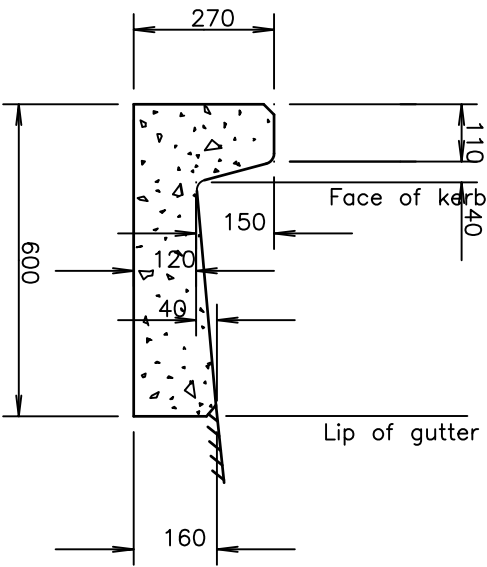
M3



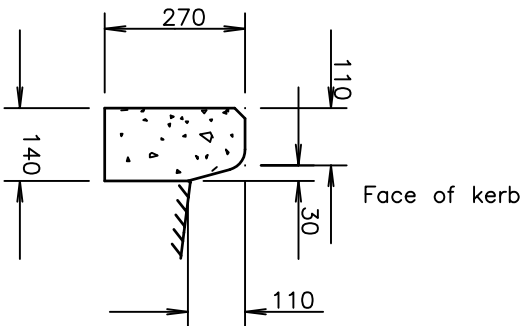
E1

MOUNTABLE KERB

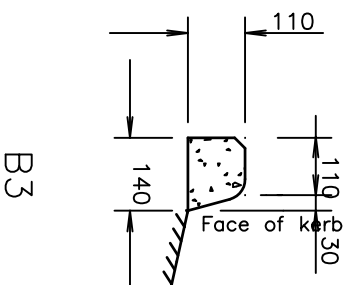
EDGE STRIP



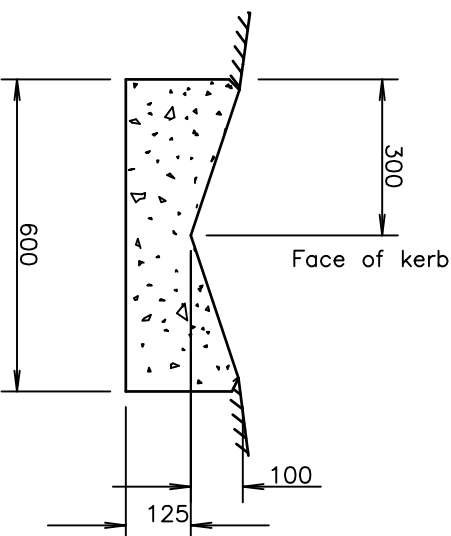
B1



B2



B3



C1

BARRIER KERB

V-GUTTER

- NOTES
1. All radii chamfers to be 20mm
  2. Transition between kerb types shall be carried out over 5 metres.
  3. In Urban areas use Local Council profile if interface is required

All dimensions in millimetres

DRAFTING		DESIGN		DEPARTMENT OF INFRASTRUCTURE, ENERGY AND RESOURCES, TASMANIA	
NO.	AMENDMENTS	DATE DESIGNED	DATE RECOMMENDED/CHECKED	DATE	FROM LINK NO. / DISTANCE TO LINK NO. / DISTANCE
1			J ARMSTRONG	FEB 85	
2	Note added on M2 and M3 kerbs.	17/5/02			
3					
4					
5					
6					
7					
8					
9					
10					
11					
12					
13					
14					
15					
16					
17					
18					
19					
20					
21					
22					
23					
24					
25					
26					
27					
28					
29					
30					
31					
32					
33					
34					
35					
36					
37					
38					
39					
40					
41					
42					
43					
44					
45					
46					
47					
48					
49					
50					
51					
52					
53					
54					
55					
56					
57					
58					
59					
60					
61					
62					
63					
64					
65					
66					
67					
68					
69					
70					
71					
72					
73					
74					
75					
76					
77					
78					
79					
80					
81					
82					
83					
84					
85					
86					
87					
88					
89					
90					
91					
92					
93					
94					
95					
96					
97					
98					
99					
100					
101					
102					
103					
104					
105					
106					
107					
108					
109					
110					
111					
112					
113					
114					
115					
116					
117					
118					
119					
120					
121					
122					
123					
124					
125					
126					
127					
128					
129					
130					
131					
132					
133					
134					
135					
136					
137					
138					
139					
140					
141					
142					
143					
144					
145					
146					
147					
148					
149					
150					
151					
152					
153					
154					
155					
156					
157					
158					
159					
160					
161					
162					
163					
164					
165					
166					
167					
168					
169					
170					
171					
172					
173					
174					
175					
176					
177					
178					
179					
180					
181					
182					
183					
184					
185					
186					
187					
188					
189					
190					
191					
192					
193					
194					
195					
196					
197					
198					
199					
200					
201					
202					
203					
204					
205					
206					
207					
208					
209					
210					
211					
212					
213					
214					
215					
216					
217					
218					
219					
220					
221					
222					
223					
224					
225					
226					
227					
228					
229					
230					
231					
232					
233					
234					
235					
236					
237					
238					
239					
240					
241					
242					
243					
244					
245					
246					
247					
248					
249					
250					
251					
252					
253					
254					
255					
256					
257					
258					
259					
260					
261					
262					
263					