

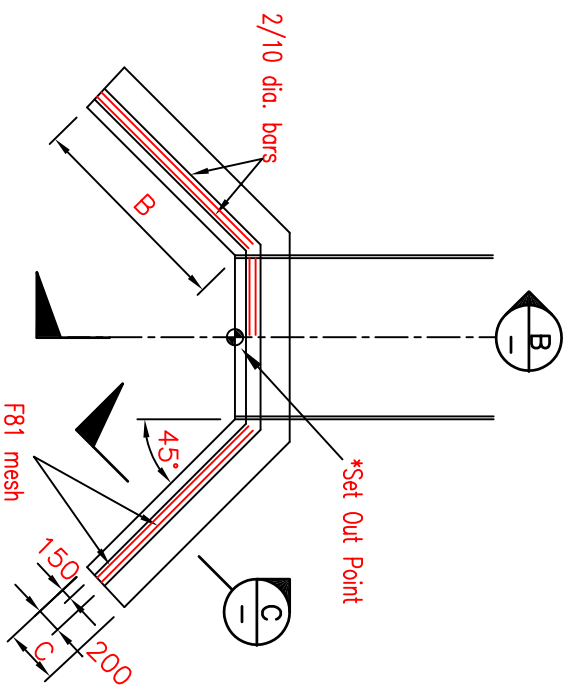
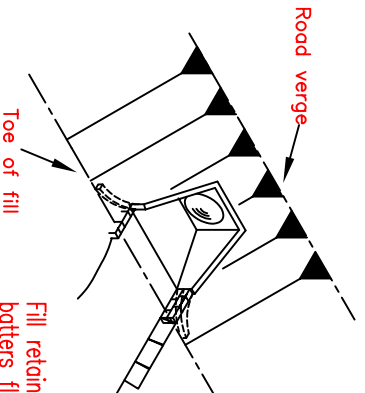
NOM. PIPE DIA	A	B	C	D	E1	E2	E3	GAP BETWEEN MULTI-PIPES
1350	1700	2550	750	1800	500	800	1100	680
1500	1900	2750	800	1940	600	930	1250	750
1800	2200	3400	900	2400	600	1000	1400	900

NOTE: All dimensions are in millimetres

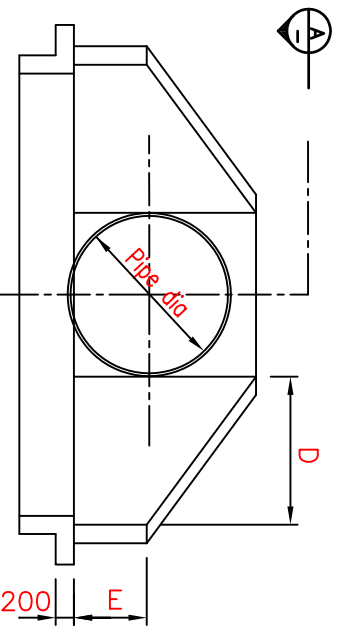
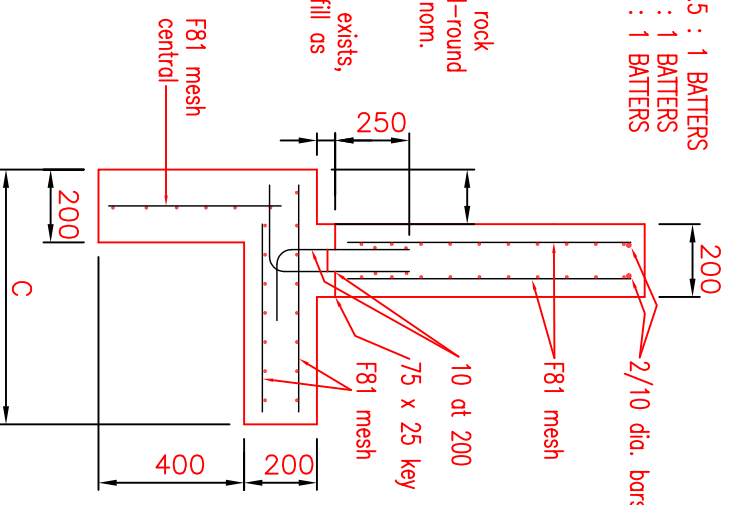
E1 = 1.5 : 1 BATTERS  
 E2 = 2 : 1 BATTERS  
 E3 = 3 : 1 BATTERS

Place and grout 300 dia. rock as shown, to prevent spill-round of fill. Set the rock 300 nom. below stream bed.

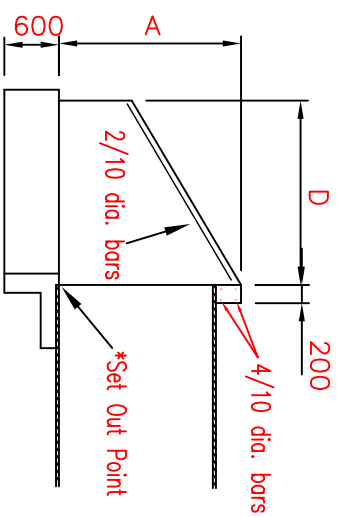
Where no defined channel exists, turn rock around toe of fill as shown (dashed).



SECTION A  
 \*Set out point for multi-pipe culverts to be at centre of gap



ELEVATION



SECTION B

Where endwall aprons are required for hydraulic reasons, they shall be cast and extend to - but not beyond - the wingwall ends. Aprons shall be 150 thick with F81 mesh centrally located. The outer edge of the apron shall have an integral cut-off, 600 deep, 150 thick, similarly reinforced.

There shall be at least four 10 dia. horiz. bars over pipe in endwall and two sloping bars in the top of all wingwalls. All reinforcement shall have 50 cover Grade N25 concrete.

NOT TO SCALE

DRAFTING		DESIGN		DEPARTMENT OF INFRASTRUCTURE, ENERGY AND RESOURCES, TASMANIA	
NO.	AMENDMENTS	DATE	APPROVED	DATE	DATE
1	Section C - F82 changed to F81	Jul 93	WS	DEC 91	DEC 91
2	2:1 and 3:1 batters added	Dec 91	WS	12/91	10/12/91
				12/91	20/12/91

DRWN	R. R. W.	DEC 91	CHECKED	D. PEARCE	12/91	DATE RECOMMENDED/CHECKED	R. JENNI	10/12/91	DATE
APPROVED	J. GLUSKIE	12/91	APPROVED	R. WILSON	20/12/91	DATE			

CONTRACT NO.	3402-2/P18-3	SHEET NO.	
DRG. NO.	3402-2/P18-3		