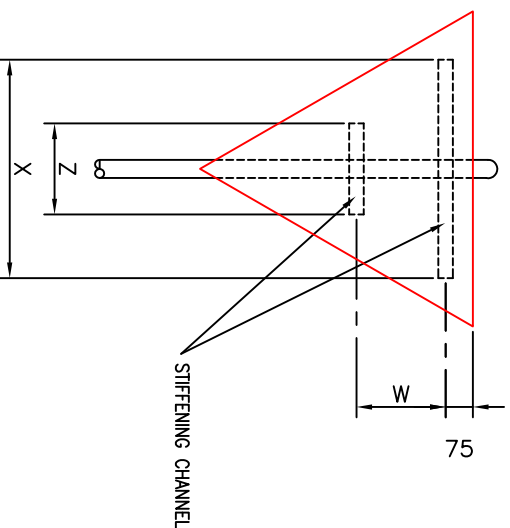
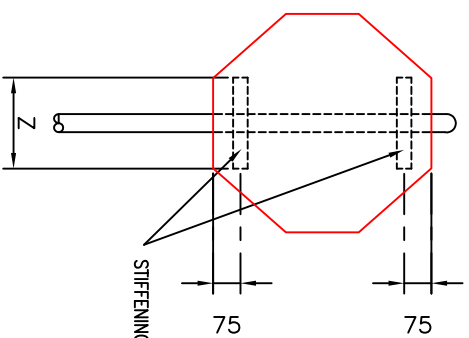


RECTANGULAR SIGN < (1200 WIDE x 1000 DEEP)
MOUNTING DETAILS
SINGLE 50 mm DIA. PIPE POST MOUNTING

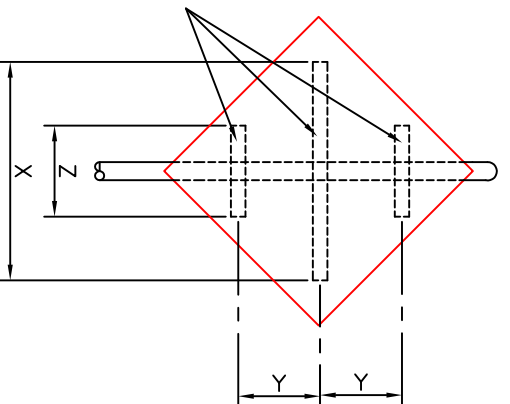
NOTE: RECTANGULAR SIGN WITH DEPTH > 1000
BUT < 1200, A THIRD STIFFENER CENTRALLY
LOCATED IS REQUIRED



GIVE WAY SIGN - MOUNTING DETAILS
SINGLE 50 mm DIA. PIPE POST MOUNTING



STOP SIGN - MOUNTING DETAILS
SINGLE 50 mm DIA. PIPE POST MOUNTING



WARNING SIGN - MOUNTING DETAILS
SINGLE 50 mm DIA. PIPE POST MOUNTING

GIVE WAY, STOP, WARNING SIGN SIZE AS PER A.S.1743	W	X	Y	Z
A	300	*600	225	250
B	450	700	275	300
C	600	900	350	450

- NOTE:-
1. STIFFENERS OMITTED FROM 'A' SIZE SIGNS UNLESS SPECIFIED AS STIFFENED.
 - * 2. 'A' SIZE WARNING SIGN DOES NOT REQUIRE CENTRE STIFFENER.
 3. FOR FOOTING CONSTRUCTION DETAILS REFER DRG. No 3403-9/P/22.
 4. SIGNS WHOSE DIMENSIONS ARE LESS THAN 600 x 450 mm MAY BE MOUNTED ON SINGLE 50 mm DIA. POSTS WITHOUT NEED OF SIGN PANEL BRACING.
 5. RECTANGULAR SIGN GREATER IN WIDTH THAN 1200 mm REFER DRG. No 3403-9/P/22.
 6. RECTANGULAR SIGN GREATER IN DEPTH THAN 1200 mm REFER DRG. No 3403-9/P/22.

DRAFTING		DESIGN		DEPARTMENT OF INFRASTRUCTURE, ENERGY AND RESOURCES, TASMANIA	
No.	AMENDMENTS	CHECKED	DATE	APPROVED	DATE
01	DELETION OF UNISTRUT DATA & FOOTING SIZE.	TR.B.	3/9/99	G.K.R.	
02	DELETION OF UNISTRUT No. VARIATION TO SIGN SIZE		20/11/93		
03					
04					
05					
06					
07					
08					
09					
10					
11					
12					
13					
14					
15					
16					
17					
18					
19					
20					
21					
22					
23					
24					
25					
26					
27					
28					
29					
30					
31					
32					
33					
34					
35					
36					
37					
38					
39					
40					
41					
42					
43					
44					
45					
46					
47					
48					
49					
50					
51					
52					
53					
54					
55					
56					
57					
58					
59					
60					
61					
62					
63					
64					
65					
66					
67					
68					
69					
70					
71					
72					
73					
74					
75					
76					
77					
78					
79					
80					
81					
82					
83					
84					
85					
86					
87					
88					
89					
90					
91					
92					
93					
94					
95					
96					
97					
98					
99					
100					

FROM LINK No. / DISTANCE	TO LINK No. / DISTANCE
CONTRACT No.	SHEET No.
DRG. No.	
3403-9/P28-2	