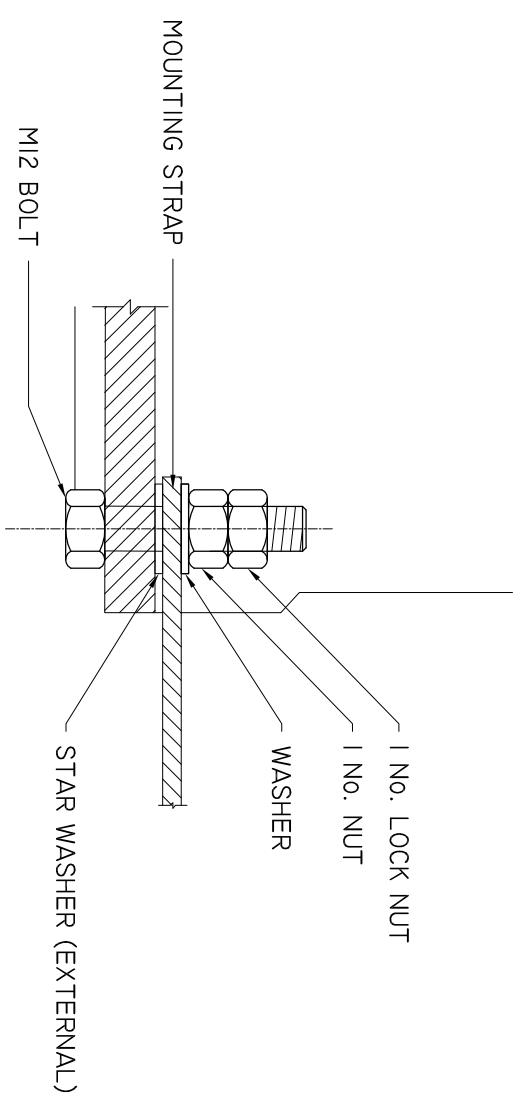
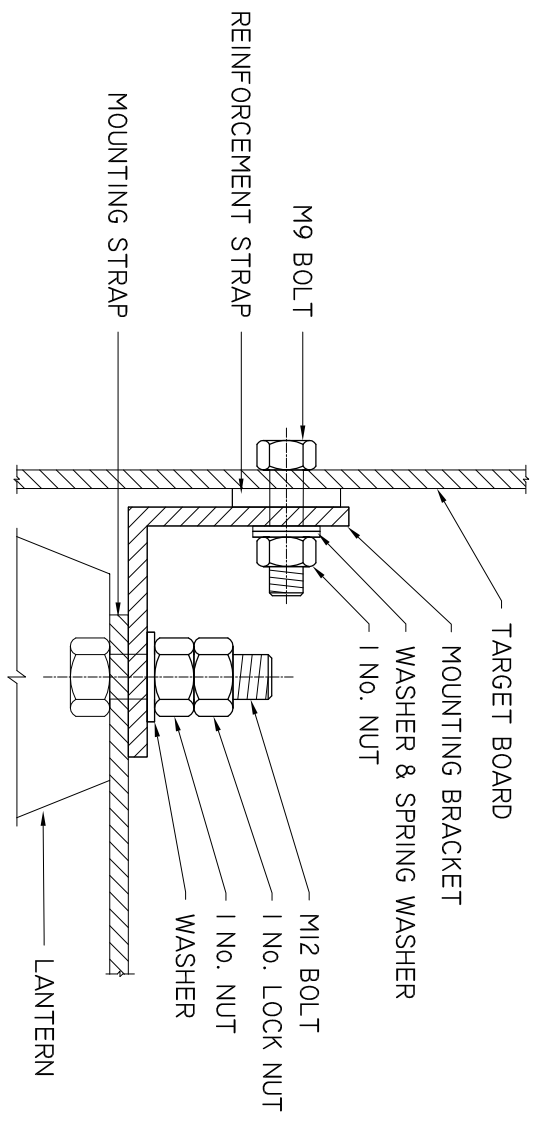


**LANTERN MOUNTING BRACKET**  
SCALE : NTS



DETAIL 01  
NTS



DETAIL 02  
NTS

ISSUE	DATE	DRN	APPROVED	REVIEWED	DATE
A				N. HARREX	
B	18/02/2021	B.V			
H					
UPDATE TO STANDARD DRAWING					
UPDATES TO STANDARD VIC ROADS DRAWINGS					
DETAILS					

DEPARTMENT OF STATE GROWTH

STANDARD DRAWING  
2C LANTERN MOUNTING DETAILS  
DRAWING ADAPTED FROM VICROADS STANDARD DRAWING TC-1119



DO NOT SCALE  
USE OF THIS DRAWING IS GOVERNED BY THE CONDITIONS ON THE DEPARTMENT STATE GROWTH WEBSITE. IT IS THE USERS RESPONSIBILITY TO ENSURE IT IS THE CURRENT REVISION. STANDARD DRAWING NUMBER SD-101-103

REVISION NUMBER  
B