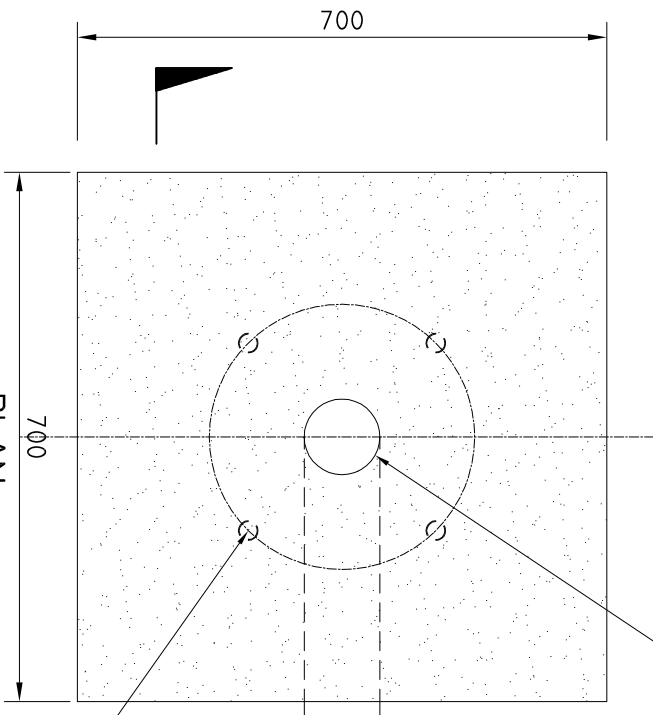
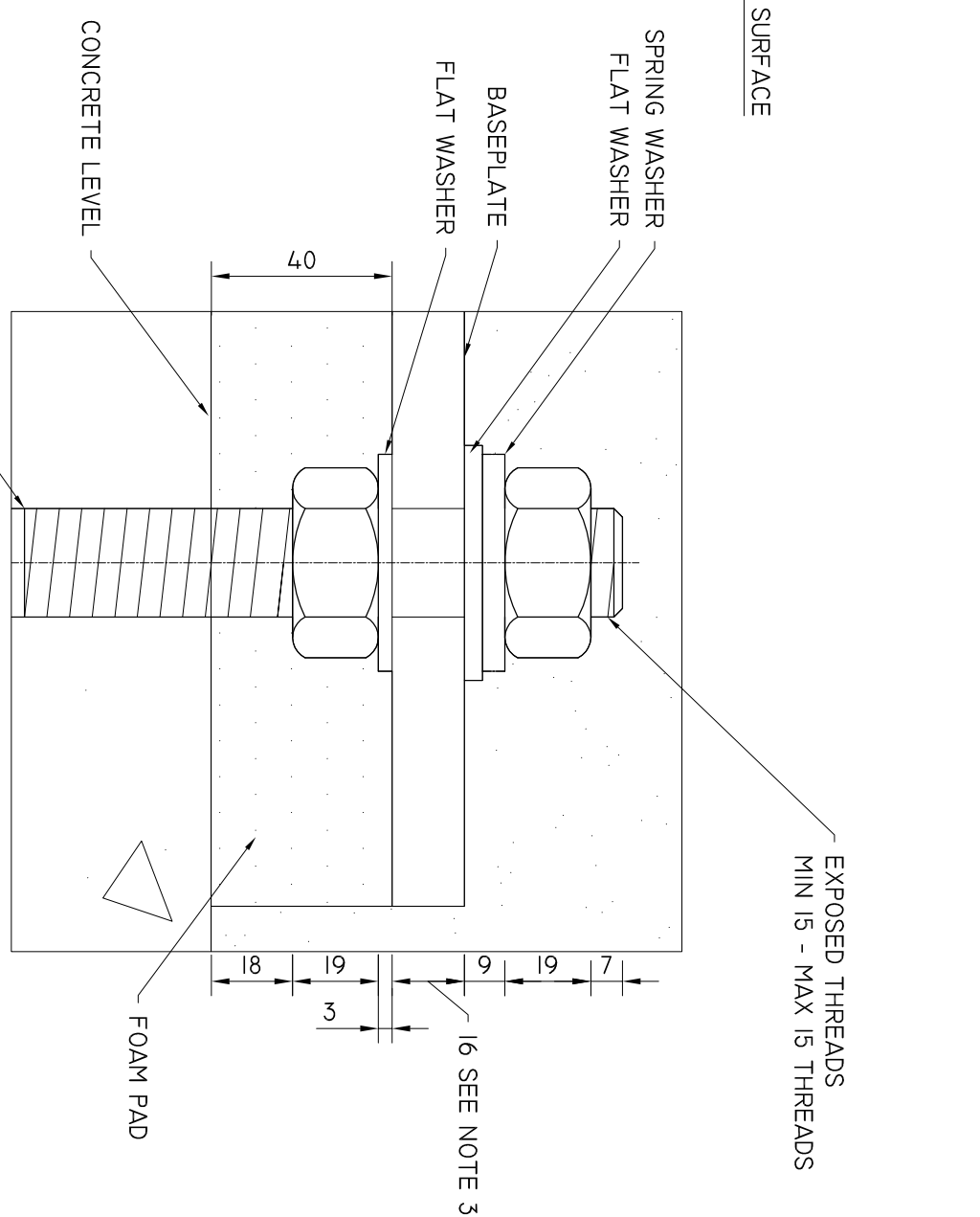


SECTION
1:10
A



PLAN
SCALE : 1:10



DETAIL
1:10
01
NTS

ALTERNATIVE FOUNDATION
NOTE: 800mm FOUNDATION MAY BE
SUBSTITUTED FIR 700 SQUARE FOUNDATION

100 CONDUIT TO BE LOCATED CENTRALLY
BETWEEN RAG BOLTS HEAVY DUTY
UNDERGROUND ELECTRICAL PVC (ORANGE)

- GENERAL NOTES**
1. CONCRETE STRENGTH GRADE SHALL BE N32 TO THE REQUIREMENTS OF AS 1379 - 'SPECIFICATION & SUPPLY OF CONCRETE'.
 2. THREADED PORTION OF ALL RAG BOLTS TO BE COATED WITH GRAPHITE GREASE OR SIMILAR BEFORE ASSEMBLY.
 3. BASE PLATE WILL BE 16MM FOR 2C AND TYPE 3 PEDESTALS

ISSUE	DETAILS	DRN	DATE	APPROVED	REVIEWED	DATE
A	DETAILS				N. HARREX	10/12/2020
B	UPDATE TO STANDARD DRAWING				B.V	
H	UPDATE TO STANDARD DRAWING					

ISSUE	DETAILS	DRN	DATE	APPROVED	REVIEWED	DATE
A	DETAILS				N. HARREX	10/12/2020
B	UPDATE TO STANDARD DRAWING				B.V	
H	UPDATE TO STANDARD DRAWING					

DRAWN B. VINEY
REVIEWED N. HARREX
10/12/2020
APPROVED

DEPARTMENT OF STATE GROWTH
STANDARD DRAWINGS
FOUNDATIONS FOR PEDESTALS
DRAWING ADAPTED FROM VICROADS STANDARD DRAWING TC-1200

DO NOT SCALE
USE OF THIS DRAWING IS GOVERNED BY THE CONDITIONS ON THE
DEPARTMENT STATE GROWTH WEBSITE.
IT IS THE USERS RESPONSIBILITY TO ENSURE IT IS THE CURRENT REVISION.
STANDARD DRAWING NUMBER
SD-101-002
REVISION NUMBER
B

