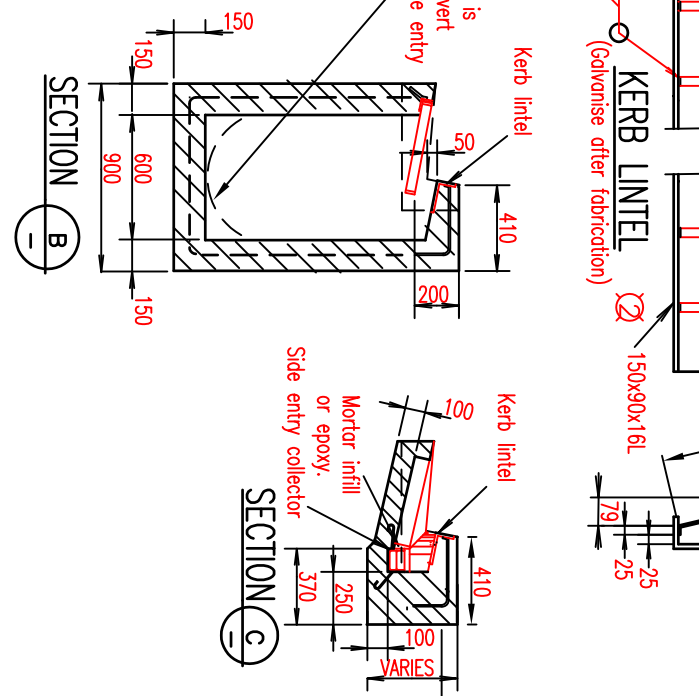


- NOTES**
1. Grade N25 concrete.
 2. Pits deeper than 1200 and less than 2400 to be fitted with step irons. Pits deeper than 2400 to be fitted with ladder.
 3. All reo. to be lapped 300 and to have 50 min. cover.
 4. All external corners to have a 20 chamfer.
 5. Check pit dimensions fit selected grate.



No.													
<p align="center">DRAFTING</p> <p>DRAWN: S.J.U. DATE DESIGNED: DEC 91</p> <p>CHECKED: D. PEARCE DATE RECOMMENDED/CHECKED: DEC 91</p> <p>APPROVED: J. GUSKIE DATE ACCEPTED: DEC 91</p>													
<p align="center">DESIGN</p> <p>DESIGNED: R.R.W. DATE: DEC 91</p> <p>RECOMMENDED/CHECKED: DATE:</p> <p>ACCEPTED: J. GUSKIE DATE: DEC 91</p>													
<p align="center">DEPARTMENT OF INFRASTRUCTURE, ENERGY AND RESOURCES, TASMANIA</p> <p align="center">GRADED PIT WITH DEFLECTOR</p> <p align="center">BARRIER KERB B1</p>													
FROM LINK No. / DISTANCE TO LINK No. / DISTANCE						FROM LINK No. / DISTANCE TO LINK No. / DISTANCE							
CONTRACT No. /						SHEET No. /							
DRG. No. 3402-9/P28-2													
Pit dimensions, lintel & reo amended AMENDMENTS CHECKED: DATE: APPROVED:													