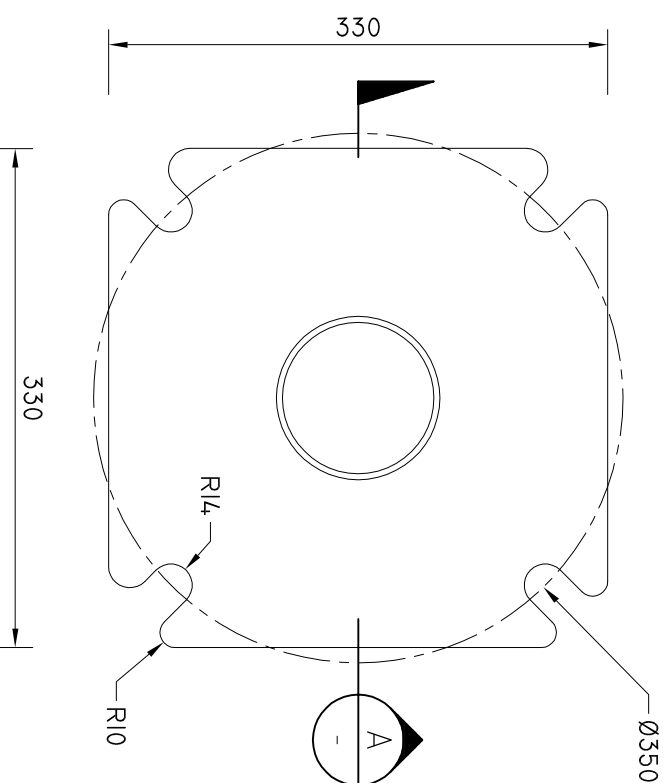
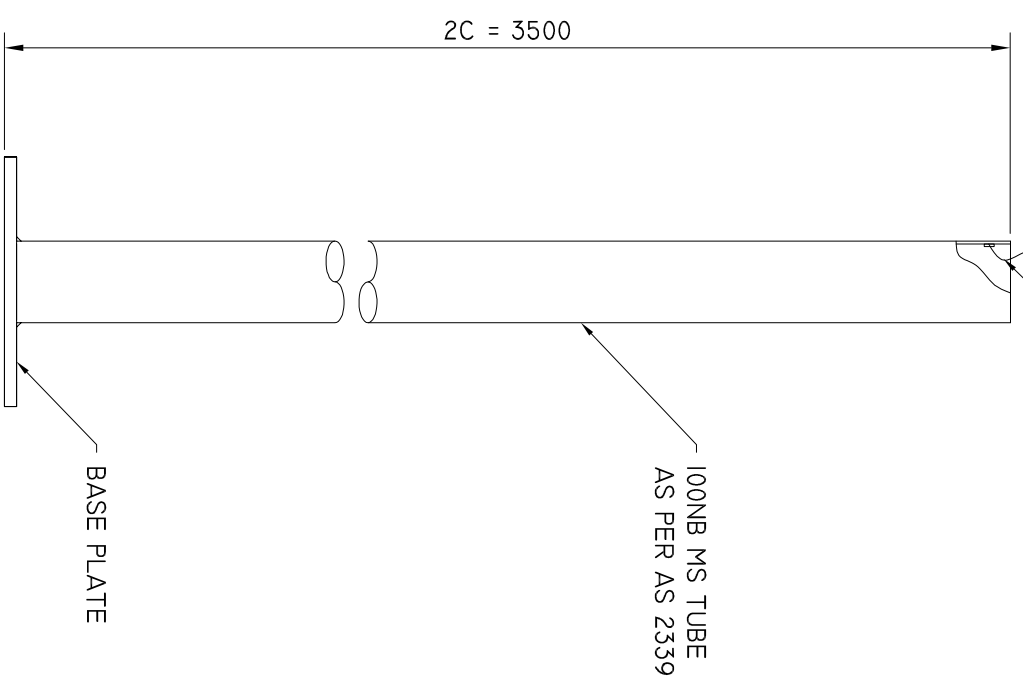


SECTION
1:10



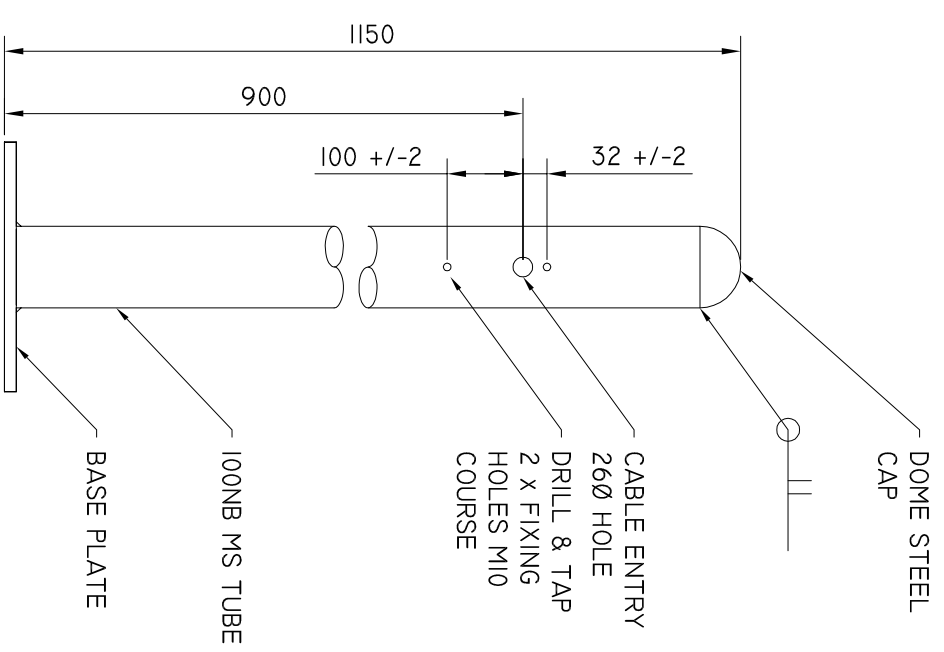
BASE PLATE DETAIL
SCALE : 1:5

PROVISION FOR EARTHING
A 300MM LENGTH OF COPPER WIRE TO BE SUITABLY FASTENED TO AN EARTHING SCREW. FASTENED LENGTH TO BE AT LEAST 50MM. COPPER WIRE TO BE AT LEAST 7/0.85MM AS PER AS 2339 FIGURE 2.5



TRAFFIC SIGNAL POST
TYPE 2C
SCALE : 1:10

NOTE:
1. POSTS TO CONFORM WITH AS 2339 UNLESS SHOWN OTHERWISE



PUSH BUTTON
TYPE 3 POST
SCALE : 1:10

DEPARTMENT OF STATE GROWTH

STANDARD DRAWING
TRAFFIC SIGNAL POST - TYPE 2C & 3
DRAWING ADAPTED FROM VICROADS STANDARD DRAWING TC-1100

DO NOT SCALE
USE OF THIS DRAWING IS GOVERNED BY THE CONDITIONS ON THE DEPARTMENT STATE GROWTH WEBSITE. IT IS THE USERS RESPONSIBILITY TO ENSURE IT IS THE CURRENT REVISION. STANDARD DRAWING NUMBER

SD-101-005

REVISION NUMBER
B



ISSUE	DETAILS	DRN	DATE	DRAWN	B. VINEY	REVIEWED	N. HARREX	APPROVED	
A	UPDATES TO STANDARD VIC ROADS DRAWINGS								
B	UPDATE TO STANDARD DRAWING	B.V	10/12/2020						
H									

0	10	20	30	40	50	60	70	80	90	100	4
---	----	----	----	----	----	----	----	----	----	-----	---

5

6

7

8

9

10