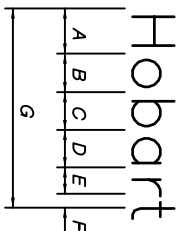
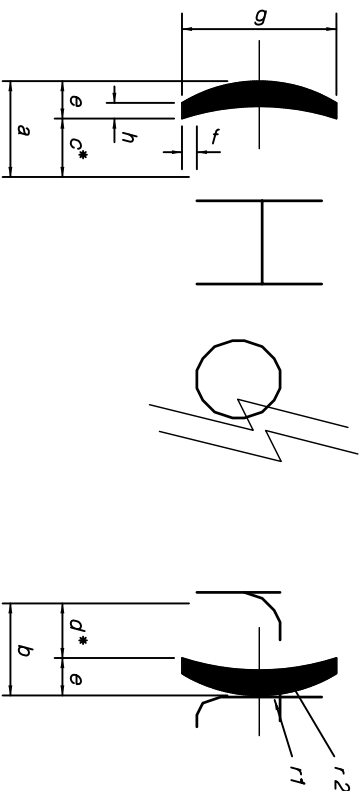


1. BORDER WIDTH & CORNER RADII



H	172 = A
O	143 = B
b	129 = C
a	148 = D
r	93 = E
t	81 = F
	766 = G

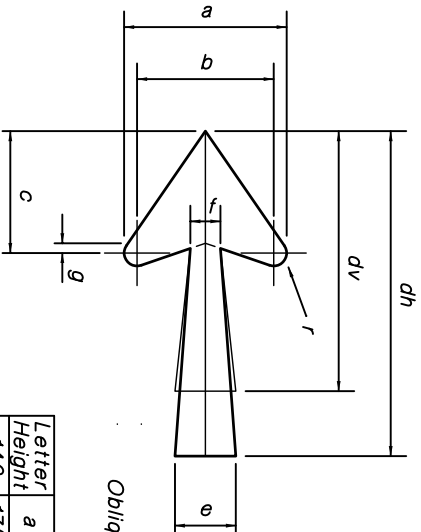
SPACING EXAMPLE



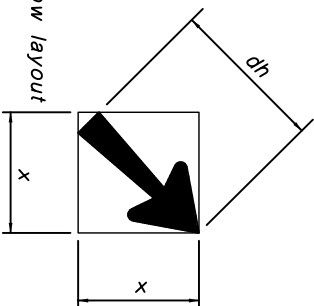
Letter	a	b	c*	d*	e	f	g	h	r1	r2
Height	140	108	103	66	61	42	17	173	18	165
140	108	103	66	61	42	17	173	18	165	280
160	123	118	75	70	48	19	198	20	190	320
200	154	148	94	88	60	24	248	25	238	400
280	215	207	131	123	84	33	347	35	333	560
340	261	251	159	149	102	40	421	43	404	680

\* 75% or 50% spacing factor may be applied to these dimensions to suit word spacing if required.

2. WORD SPACING & BRACKETS



Oblique arrow layout



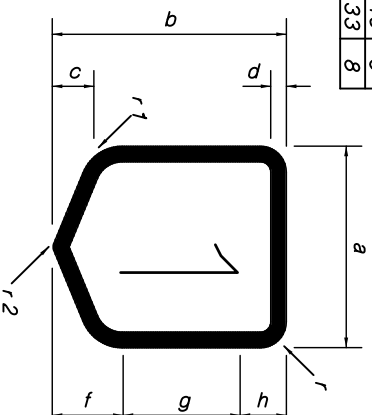
Letter	a	b	c	dh	dv	e	f	g	r	x
Height	140	175	147	131	350	280	66	32	11	14
140	175	147	131	350	280	66	32	11	14	272
160	200	168	150	400	320	75	37	12	16	310
200	250	210	188	500	400	93	47	15	20	388
280	350	294	263	700	560	130	66	21	28	543
340	425	357	319	850	680	158	80	25	34	659

dh = length of horizontal and oblique arrow  
dv = height of vertical arrow

3. DIRECTION ARROWS

	a	b	c	d	f	g	h	r	r1	r2
G8-1-2A	310	360	64	24	109	180E	71	40	65	15
G8-1-2B	413	480	85	32	145	240E	95	53	87	20
G8-1-2C	205	240	42	16	72	120E	47	25	45	9
G8-1-2D	155	180	32	12	55	90E	36	20	33	8

Shields G8-1-2C and G8-1-2D are for use on small direction and fingerboard signs and are half size G8-1-2B and G8-1-2A respectively. G8-1-2A and G8-1-2B are as detailed in AS1743



4. NATIONAL ROUTE SHIELDS

DRAFTING		DESIGN	
DRWN	R. McGough	DATE DESIGNED	Aug 94
CHECKED		DATE RECOMMENDED/CHECKED	Aug 94
APPROVED	RW	DATE ACCEPTED	16/8/94
DEPARTMENT OF INFRASTRUCTURE, ENERGY AND RESOURCES, TASMANIA		DIRECTION SIGNS	
STANDARD DETAILS		CONTRACT No. 3403-5/P411-1	
DIRECTION ARROWS		SHEET No.	
AMENDMENTS		DIRECTION SIGNS	
Oblique arrow & route shield details		DIRECTION SIGNS	
CHECKED		DATE	
Aug 94		RW	
APPROVED		DATE	
R. McGough		16/8/94	
APPROVED		DATE	
R. Wilson		16/8/94	