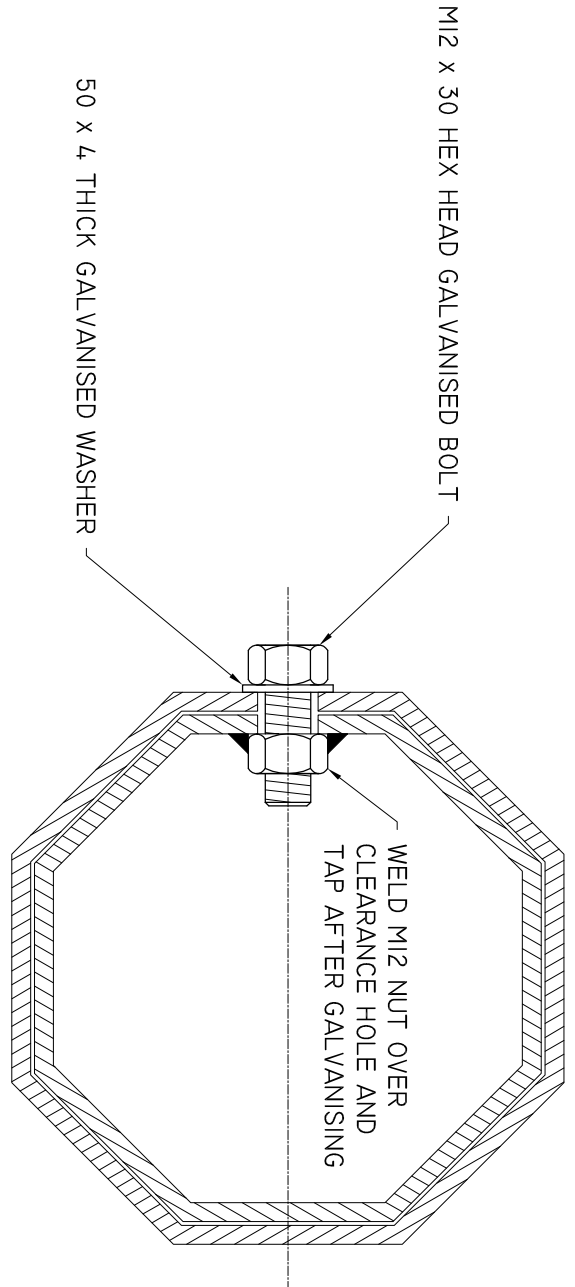
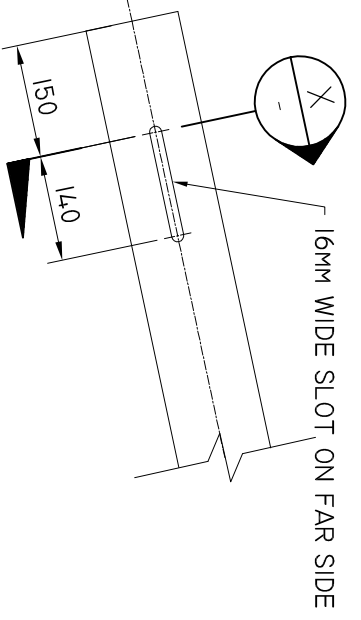
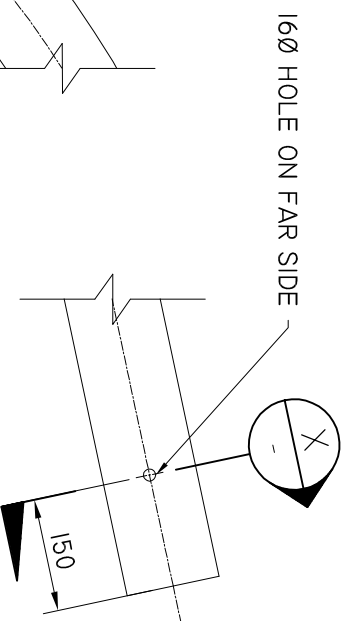
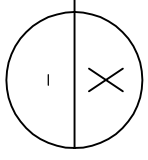


MAST ARM
N.T.S

NOTE:
OUTREACH CLAMP ON FAR SIDE



SECTION
N.T.S



ISSUE	DETAILS	DRN	DATE
A	UPDATES TO STANDARD VIC ROADS DRAWINGS		
B	UPDATE TO STANDARD DRAWING	B.V	18/02/2021

DRAWN	REVIEWED
B. VINEY	N. HARREX



DEPARTMENT OF STATE GROWTH
STANDARD DRAWING
FOR TRAFFIC SIGNALS AND STREET LIGHTING
TRAFFIC SIGNAL MA & JUMA
MAST ARM OUTREACH CLAMPING DETAIL

DO NOT SCALE
USE OF THIS DRAWING IS GOVERNED BY THE CONDITIONS ON THE DEPARTMENT STATE GROWTH WEBSITE. IT IS THE USERS RESPONSIBILITY TO ENSURE IT IS THE CURRENT REVISION.
STANDARD DRAWING NUMBER
SD-101-012

REVISION NUMBER
B