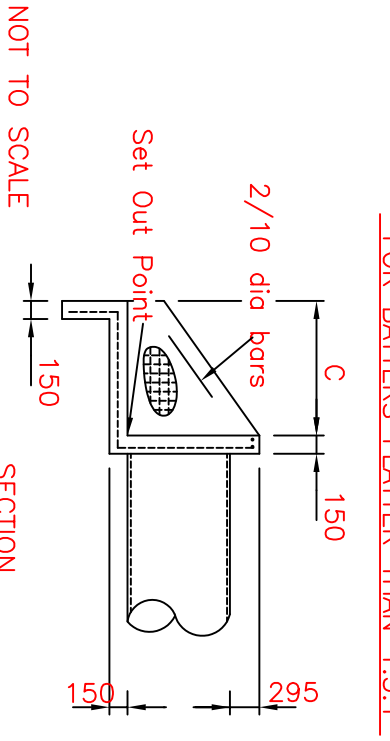
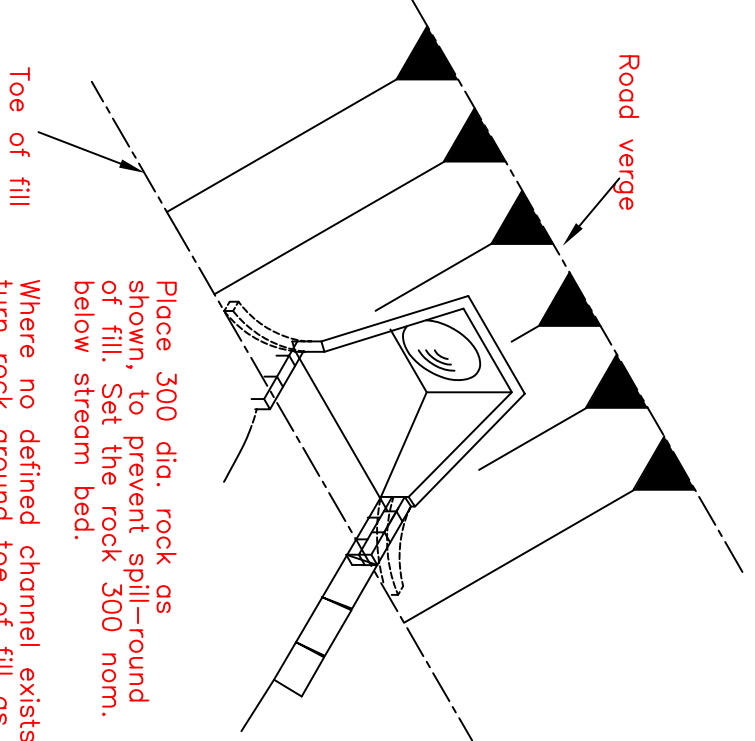
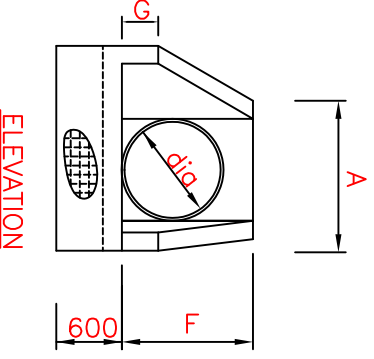
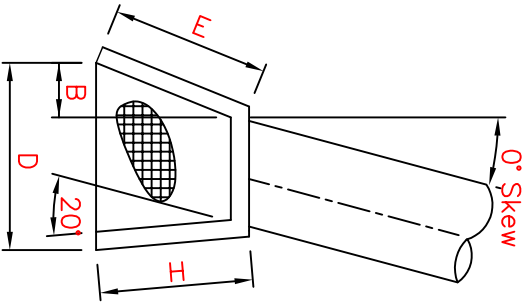


SKIEW	NOM PIPE DIA	A	B	C	D	E	F	G1	G2	G3	H	REINFORCED BAR DIAMETER	EQUIV. MESH No.
15°	600	940	850	850	1550	1120	930	370	500	600	1010	10 @ 150	181
	750	1110	770	1100	1910	1420	1090	370	500	680	1260	10 @ 150	181
	900	1290	910	1300	2250	1670	1260	400	600	800	1460	10 @ 150	181
	1050	145	1090	1550	2610	1970	1420	410	700	870	1710	10 @ 150	181
	1200	1630	1260	1800	2980	2280	1590	430	700	970	1960	10 @ 150	181
30°	1500	1885	1505	2000	3200	2625	1750	430	800	1000	2160	10 @ 150	181
	1350	1885	1505	2000	3200	2625	1750	430	800	1000	2160	10 @ 150	181
	1200	1630	1260	1800	2980	2280	1590	430	700	970	1960	10 @ 150	181
	1050	1600	1850	1550	3100	2460	1420	410	700	870	1730	10 @ 150	181
	900	1420	1550	1300	2660	2080	1260	400	600	800	1470	10 @ 150	181
45°	1500	2290	1500	2230	5534	3700	1920	430	800	1000	2415	10 @ 150	181
	1350	2100	2560	2000	5040	3345	1750	430	800	1000	2180	10 @ 150	181
	1200	1800	1800	1800	3550	2850	1590	430	700	970	1980	10 @ 150	181
	1050	1600	1850	1550	3100	2460	1420	410	700	870	1730	10 @ 150	181
	900	1420	1550	1300	2660	2080	1260	400	600	800	1470	10 @ 150	181

G1 = 1.5 : 1 BATTERS  
 G2 = 2 : 1 BATTERS  
 G3 = 3 : 1 BATTERS

NOTE ; All dimension in millimetres  
 All reinforcement shall be continuous between wing walls and apron slab and shall be placed centrally.  
 There shall be at least two 10 dia. horiz. bars over pipe in endwall and two sloping bars in the top of all wingwalls.  
 Grade N25 concrete.



Place 300 dia. rock as shown, to prevent spill-round of fill. Set the rock 300 nom. below stream bed.  
 Where no defined channel exists, turn rock around toe of fill as shown (dashed).

CULVERT ENDWALLS  
FILL RETAINING WORKS  
FOR BATTERS FLATTER THAN 1.5:1

DRAFTING		DESIGN		DEPARTMENT OF INFRASTRUCTURE, ENERGY AND RESOURCES, TASMANIA	
DRAWN	REDRAWN	DESIGNED	R.W.	DEC 91 DATE	
P. W.		R. R.	W.	DEC 93 DATE	
CHECKED		RECOMMENDED/CHECKED		DATE	
D. PEARCE		R. JENNI		20/12/91	
APPROVED		ACCEPTED		DATE	
J. GLUSKIE		R. WILSON		20/12/91	
2.1 AND 3.1 BATTERS ADDED		AMENDMENTS		CHECKED	DATE
				Dec91	
				APPROVED	
				RW	
				CONTRACT No.	
				SHEET No.	
				DRG. No.	3402-2/P13-3

R.C. ENDWALL FOR SINGLE PIPE CULVERT  
 (600-1500) SKEW FLOW CONDITIONS