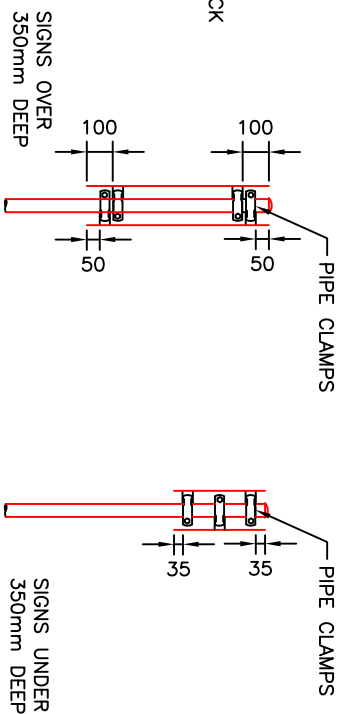
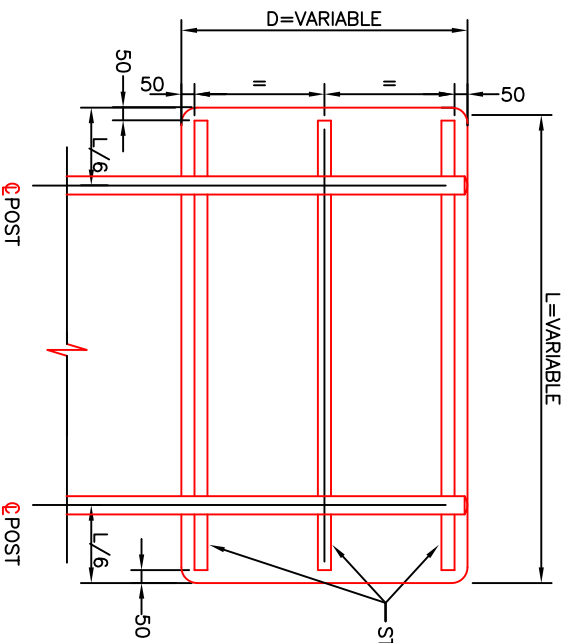


INTERSECTION DIRECTION SIGNS

WHERE I.D. SIGNS ARE TO BE INSTALLED DOUBLE SIDED (i.e. BACK TO BACK) CHANNELS TO BE STAGGERED. SEE DETAIL



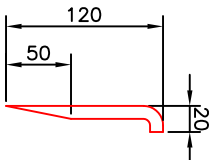
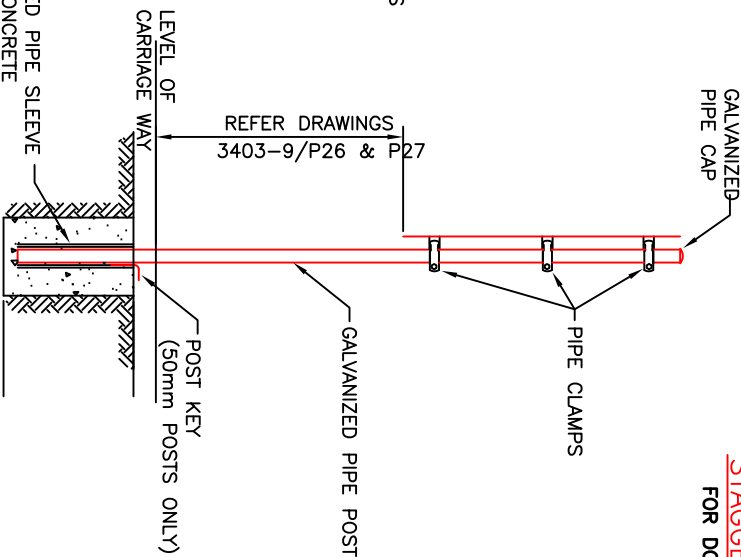
STAGGERED FIXING DETAIL FOR DOUBLE SIDED I.D. SIGNS



LARGE RECTANGULAR SIGNS

INSTALLATION DETAILS

GALVANIZED PIPE SLEEVE SET IN CONCRETE (50mm POSTS ONLY)



POST KEY

NOTE:
FOR SINGLE POST FOOTING SIZE IS 600 DEEP x 400 DIA.

2	DELETION OF NOTE REFERING TO FOOTING SIZE	21/5/02	GKR	DRAFTING	DATE DESIGNED	DATE	DESIGN	DATE	DEPARTMENT OF INFRASTRUCTURE, ENERGY AND RESOURCES, TASMANIA MOUNTING AND INSTALLATION DETAILS TRAFFIC SIGNS – UNBRACED	FROM LINK No. / DRAWING TO LINK No. / DRAWING
3	DELETION OF UNISTRUT DATA	TRB	3/9/99	GKR	W. WHEHN	11/82	RECOMMENDED/CHECKED	DATE		CONTRACT No.
4	ADDITIONAL DETAILS OF UNISTRUT AND I.D. SIGN		9/8/84		D. BURRIDGE	11/82	CHECKED	DATE		SHEET No.
5	DELETION OF REFERENCE TO UNISTRUT No.		20/11/83		E. BRADFORD	23/12/82	APPROVED	DATE		
6	AND ADDITIONAL FOOTING NOTE				P. WHARMBY	5/1/83	DATE ACCEPTED	DATE		
AMENDMENTS		CHECKED	DATE	APPROVED						DRG. No.
										3403-9/P22-4