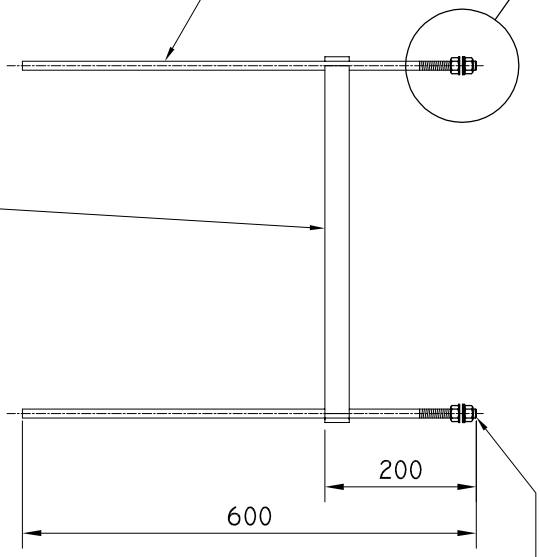


DETAIL 01  
NTS

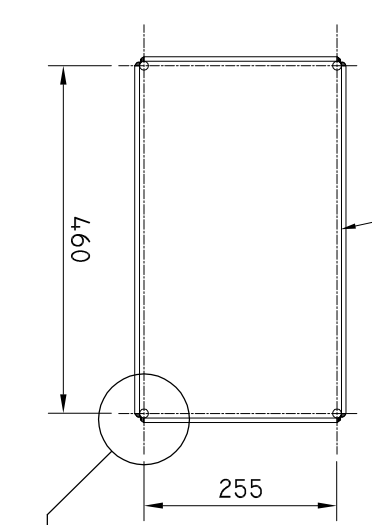
DETAIL 01  
-

4 NO. 12MM RAG BOLTS,  
600 LONG

4 NO. 6X32MM BLACK  
STEEL STRAP WELDED  
TO RAG BOLTS



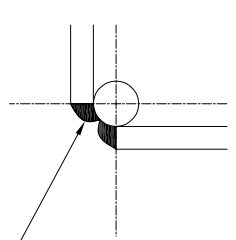
M12 COURSE THREAD BOLTS EACH ASSEMBLED WITH  
2 NUTS, 2 FLAT WASHERS 1 SPRING WASHER ALL  
ZINC PLATED OR GALVANISED



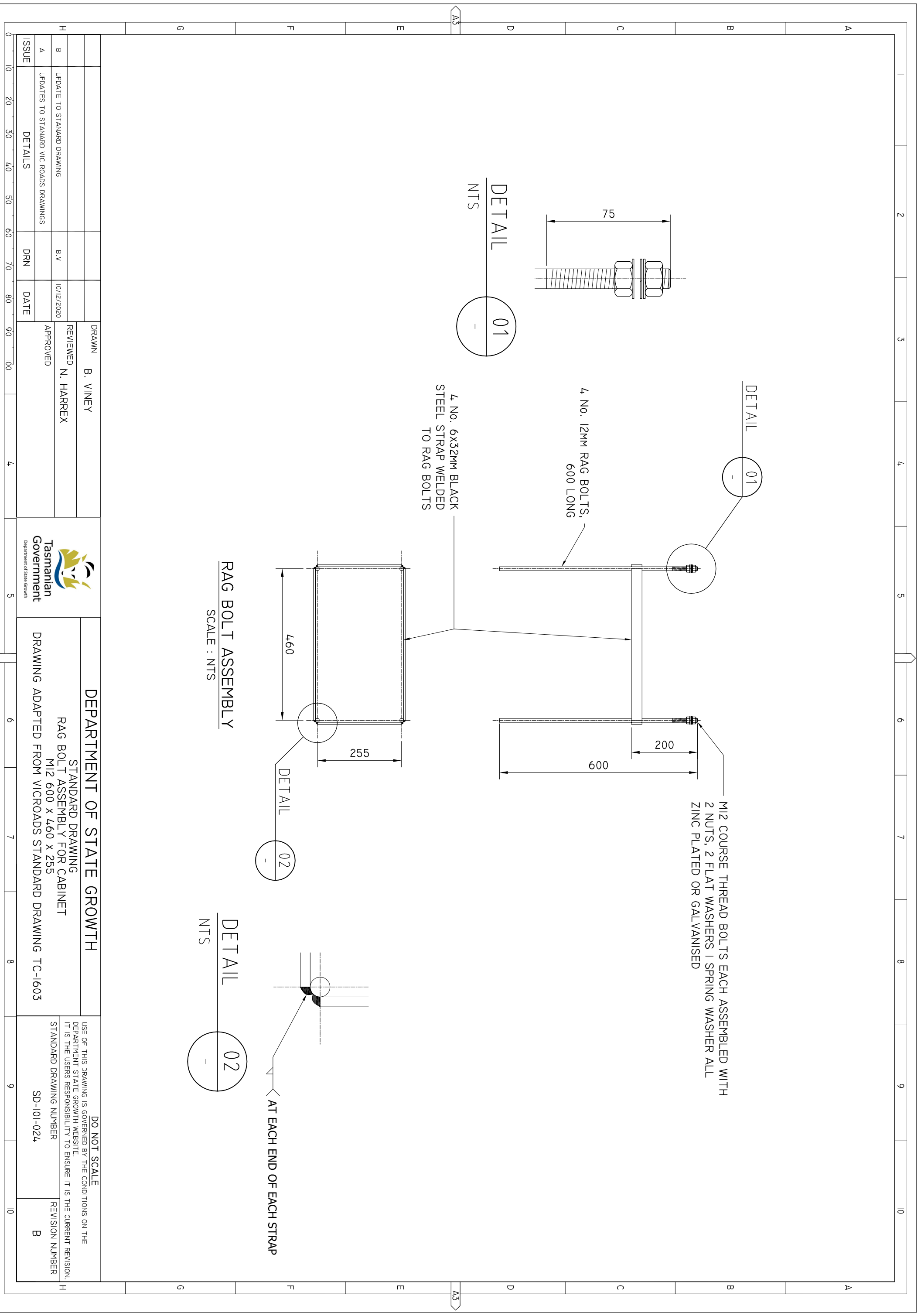
DETAIL 02  
-

RAG BOLT ASSEMBLY  
SCALE : NTS

DETAIL 02  
NTS



AT EACH END OF EACH STRAP



ISSUE	DETAILS	DRN	DATE	DRAWN	B. VINEY
A	UPDATES TO STANDARD VIC ROADS DRAWINGS	DRN		REVIEWED	N. HARREX
B	UPDATE TO STANDARD DRAWING	B.V	10/12/2020	APPROVED	



DEPARTMENT OF STATE GROWTH

STANDARD DRAWING  
RAG BOLT ASSEMBLY FOR CABINET  
M12 600 X 460 X 255  
DRAWING ADAPTED FROM VICROADS STANDARD DRAWING TC-1603

DO NOT SCALE

USE OF THIS DRAWING IS GOVERNED BY THE CONDITIONS ON THE  
DEPARTMENT STATE GROWTH WEBSITE.  
IT IS THE USERS RESPONSIBILITY TO ENSURE IT IS THE CURRENT REVISION.  
STANDARD DRAWING NUMBER  
SD-101-024

REVISION NUMBER  
B