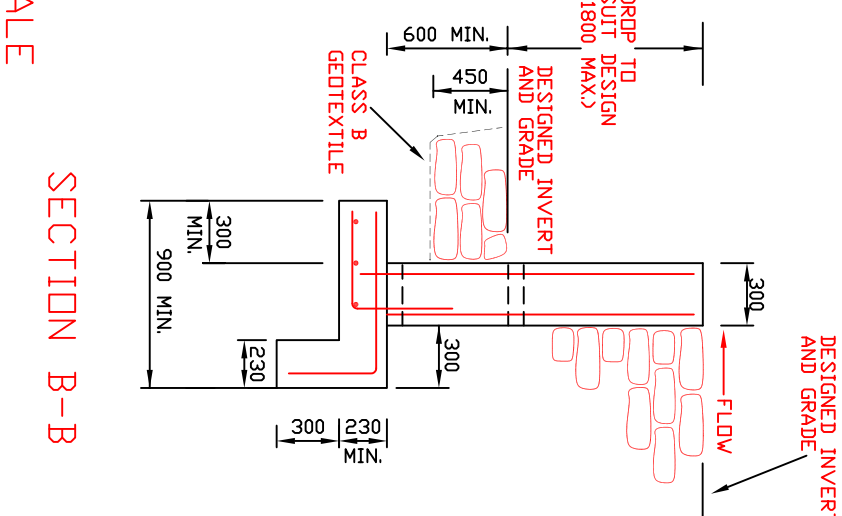
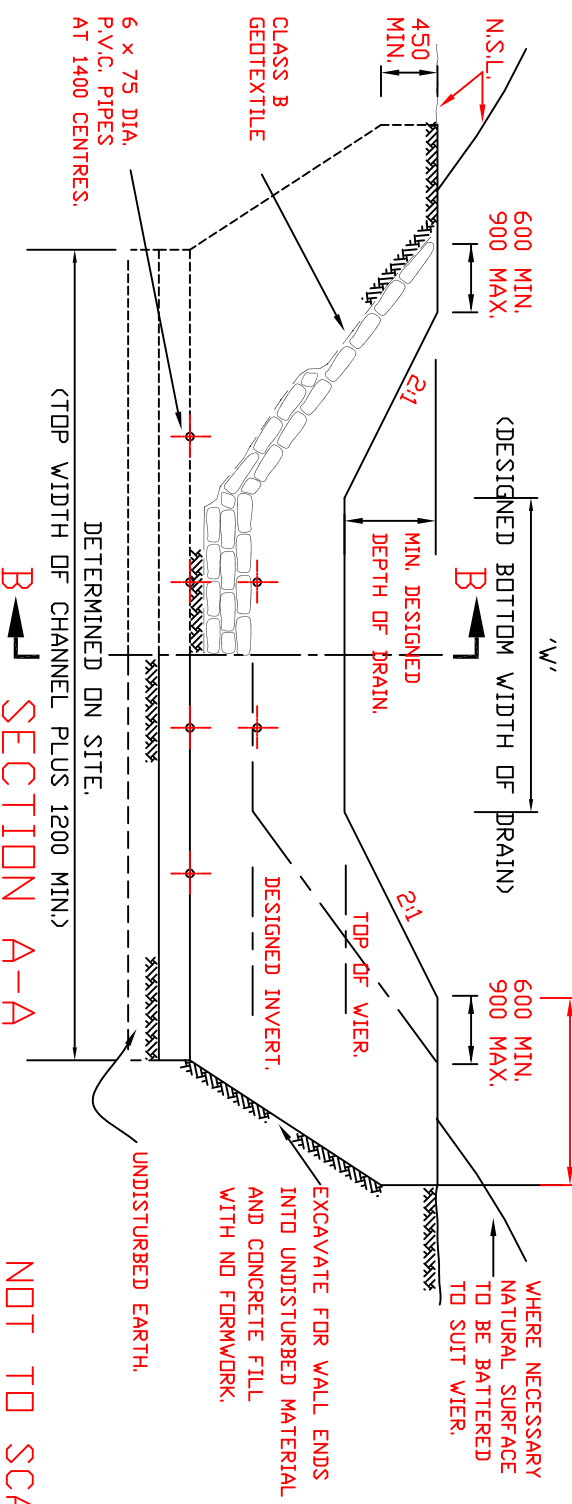


- NOTES**
1. FOR LOCATION AND LEVELS OF WEIR REFER DWGS
  2. ULTIMATE COMPRESSIVE STRENGTH OF CONCRETE TO BE NES IN ACCORDANCE WITH CONTRACT SPECIFICATIONS.
  3. BACKFILLING TO BE THOROUGHLY COMPACTED & EXPOSED SOIL WELL GRASSED.
  4. FISH PASSAGE PROVISION TO BE ADDED IF STREAM IS LIKELY TO HAVE NATIVE FISH.



NOT TO SCALE

SECTION B-B

DRAFTING		DESIGN	
DATE DESIGNED	T.J.W.	DATE	OCT 83
CHECKED	GKR	DATE RECOMMENDED/CHECKED	12/83
DATE	7/03	APPROVED	K.R.S.
CHECKED	6/88	DATE ACCEPTED	11/11/83
APPROVED	K.R.S.	DATE	14/12/83
APPROVED	K.R. SAMS	DATE	14/12/83

DEPARTMENT OF INFRASTRUCTURE, ENERGY AND RESOURCES, TASMANIA	
R.C. STREAM-CONTROL WEIR	
FROM LINK NO. / DISTANCE	TO LINK NO. / DISTANCE
CONTRACT NO.	SHEET NO.
3402-2/P28-2	7