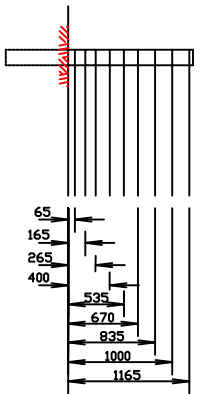
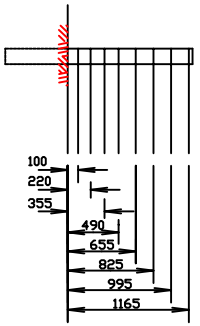
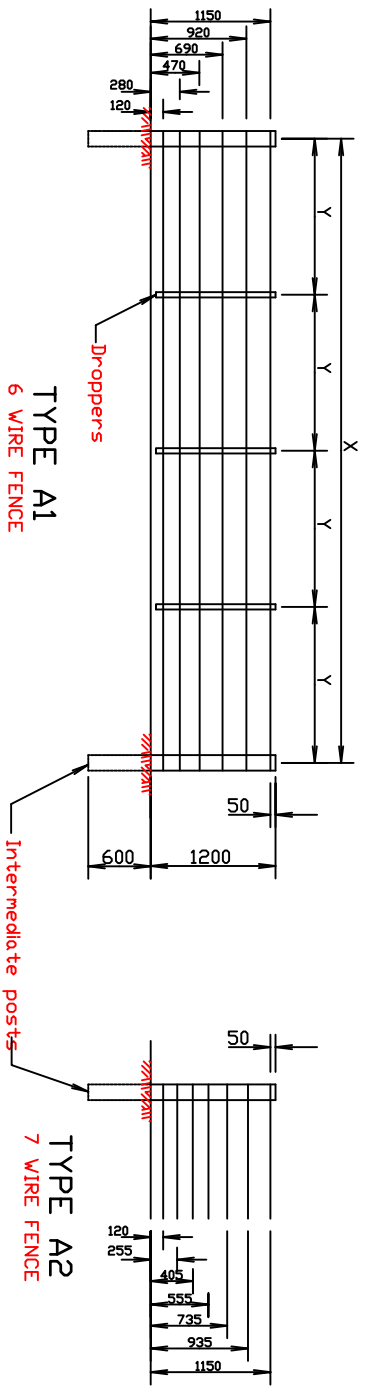


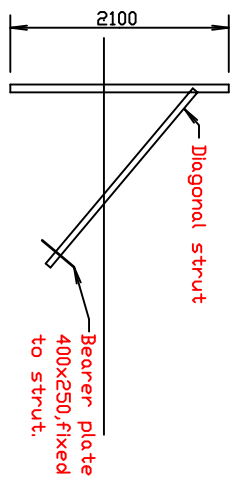
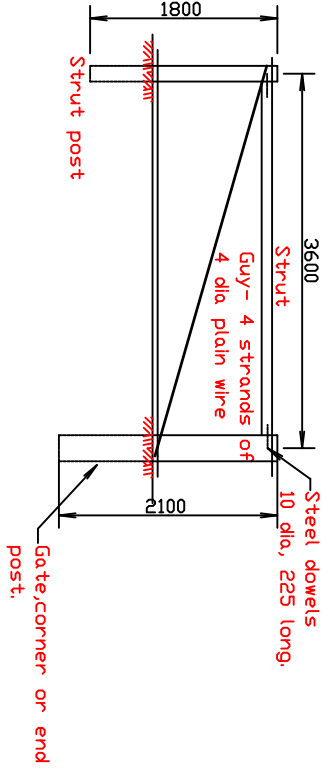
POST & DROPPER SPACINGS

Flat Terrain	X	Y
Rolling Terrain	10000	2500
	6000	1500



MATERIAL SIZES

INTERMEDIATE POSTS	Untreated hardwood	Treated pine	Steel
GATE,CORNER DR END POST	125x125	125-150 dia	Star post
STRUT POST	150x150 or 300 dia	200-250 dia.	75x75x6 angle
STRUTS	125x125	125-250 dia.	60 dia.
DROPPERS	150 dia.	125 dia.	38x18 v section



- NOTES:**
1. All wires to be on landowner's side of fence.
 2. All wires plain unless stated otherwise.
 3. Post spacing applies to all fence types shown.
 4. Plain wires to be min 2.5mm high tensile.
 5. Barbed wire to be min 16mm high tensile.
 6. Timber or approved metal droppers to be 1150 long spaced evenly and fastened to wires as specified.
 7. Where full depth cannot be reached then the post should be concreted in with N25 concrete.

SINGLE TIMBER STRAINER ASSEMBLY
For use at gateways, ends, angles etc

SINGLE STEEL STRAINER ASSEMBLY
For use at gateways, ends, angles etc

DRAFTING		DESIGN		DEPARTMENT OF INFRASTRUCTURE, ENERGY AND RESOURCES, TASMANIA	
NO.	AMENDMENTS	DATE	APPROVED	DATE	APPROVED
1		28-10-92	K C LINDSS	13/11/90	R JENNI
2		15-6-92		13/11/90	W SCHOE
3					
4					
5					
6					
7					
8					
9					
10					
11					
12					
13					
14					
15					
16					
17					
18					
19					
20					
21					
22					
23					
24					
25					
26					
27					
28					
29					
30					
31					
32					
33					
34					
35					
36					
37					
38					
39					
40					
41					
42					
43					
44					
45					
46					
47					
48					
49					
50					
51					
52					
53					
54					
55					
56					
57					
58					
59					
60					
61					
62					
63					
64					
65					
66					
67					
68					
69					
70					
71					
72					
73					
74					
75					
76					
77					
78					
79					
80					
81					
82					
83					
84					
85					
86					
87					
88					
89					
90					
91					
92					
93					
94					
95					
96					
97					
98					
99					
100					

CONTRACT NO.	SHEET NO.
3402-15/P4-2	