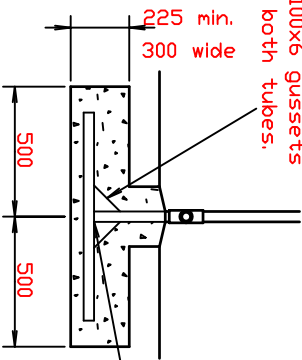


2 No. 100x100x6 gussets welded to both tubes.



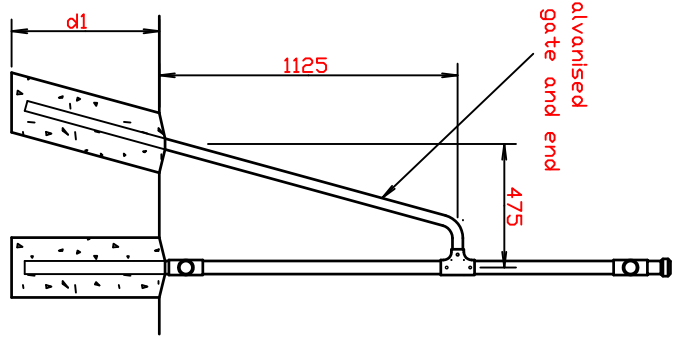
Notch pipe and weld to 40 dia. tube 800 long.

**ALTERNATIVE FOOTING DETAIL**  
(when rock is near surface)

**FENCE HEIGHT & FOOTING DEPTH DETAILS**

Height - h	900	1200	1800
Depth - d1	600	600	750
Depth - d2	450	450	600

Stay 40 dia. galvanised tube on gate and end posts.



**STAY DETAIL**  
(1800 fence only)

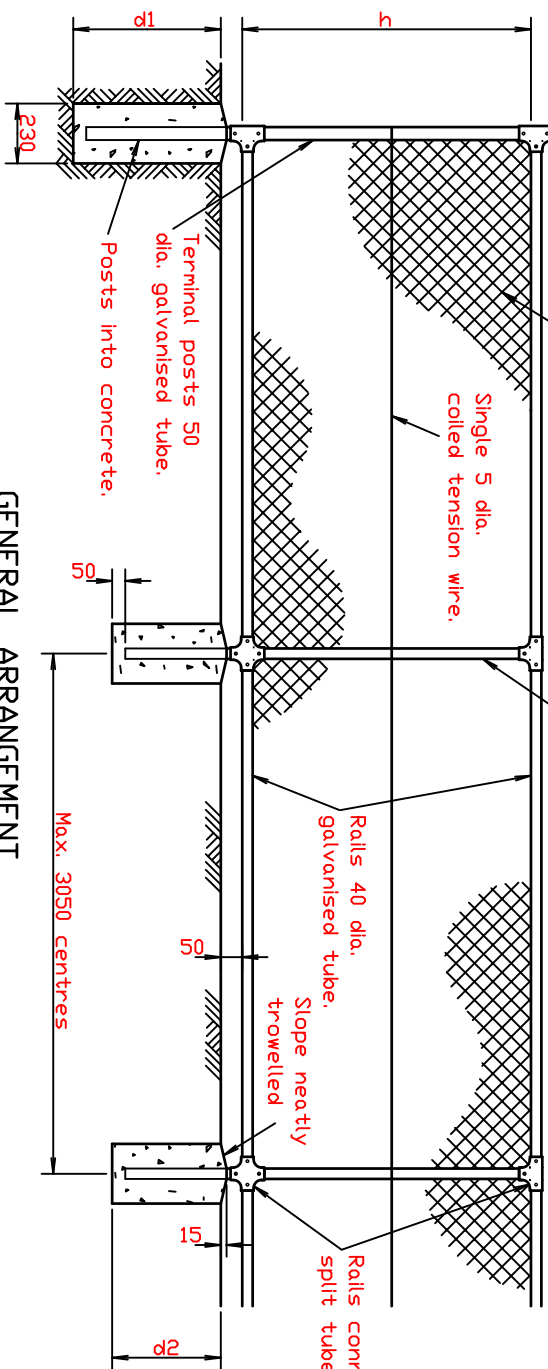
50 x 315 dia. galvanised chain wire mesh. Securely fastened to rails with 2 dia. galvanised tie wire.

Intermediate posts 40 dia. galvanised tube.

Rails 40 dia. galvanised tube.

Slope neatly trowelled

Rails connected by split tube fittings.



- NOTES**
1. Oversize footing holes to be completely backfilled with concrete.
  2. Grade N25 concrete.

**GENERAL ARRANGEMENT**

DRAFTING		DESIGN		DEPARTMENT OF INFRASTRUCTURE, ENERGY AND RESOURCES, TASMANIA	
Drawn	R.R.W.	Date designed	91	CHAINWIRE FENCE	
Checked	K. Soms	Date recommended/checked	20/12/91	TYPE 'A'	
Approved	R. Wilson	Date accepted		FROM LINK NO. / DESIGN TO LINK NO. / DESIGN	
Amendments				Contract No.	3402-15/P8
				Sheet No.	